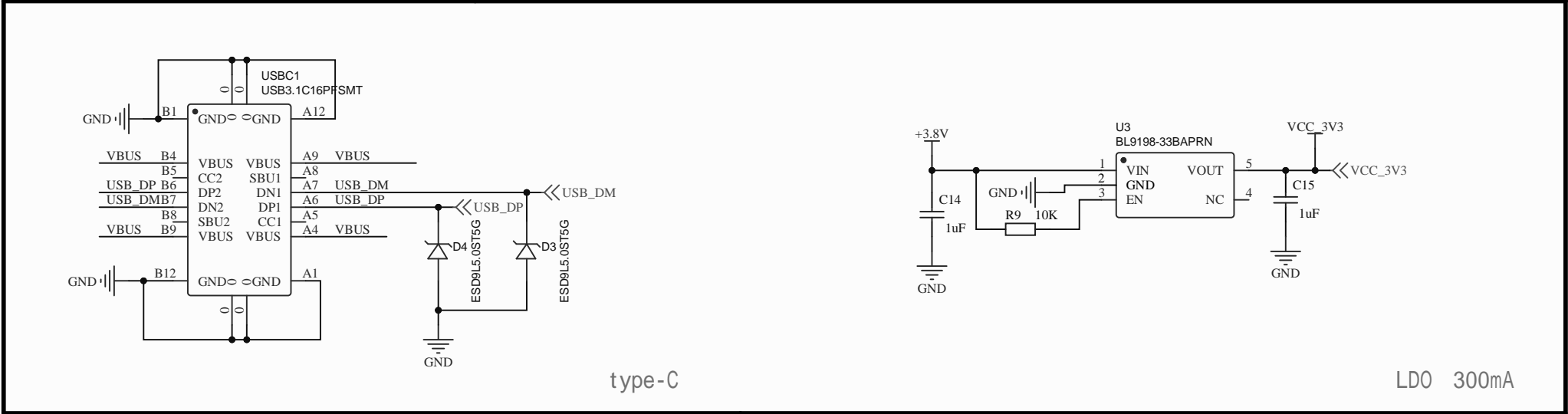
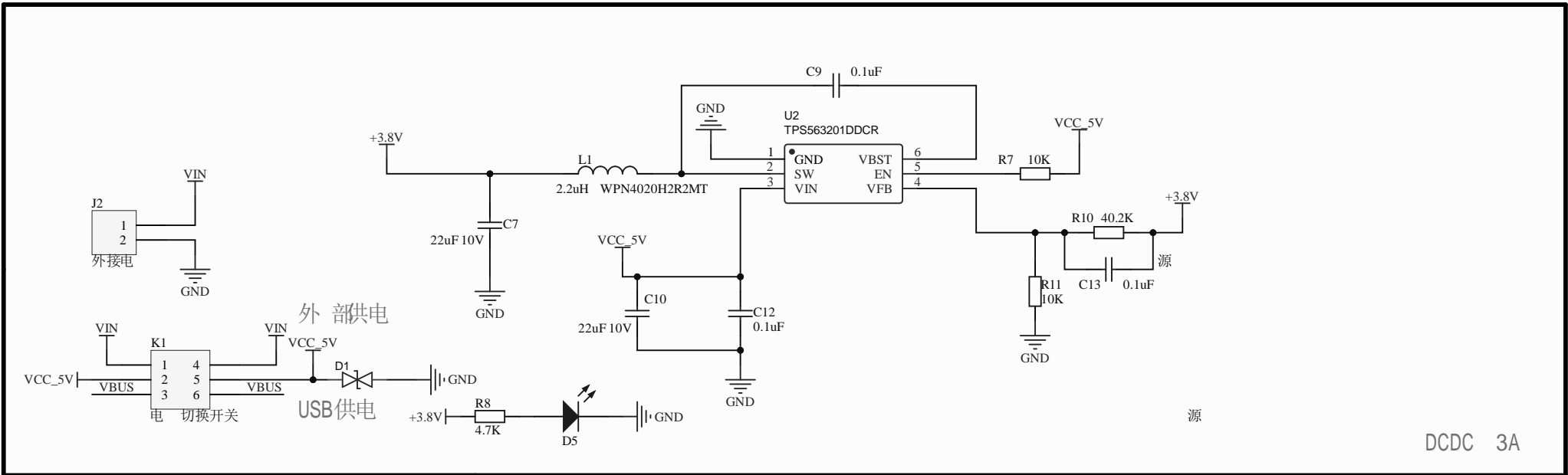
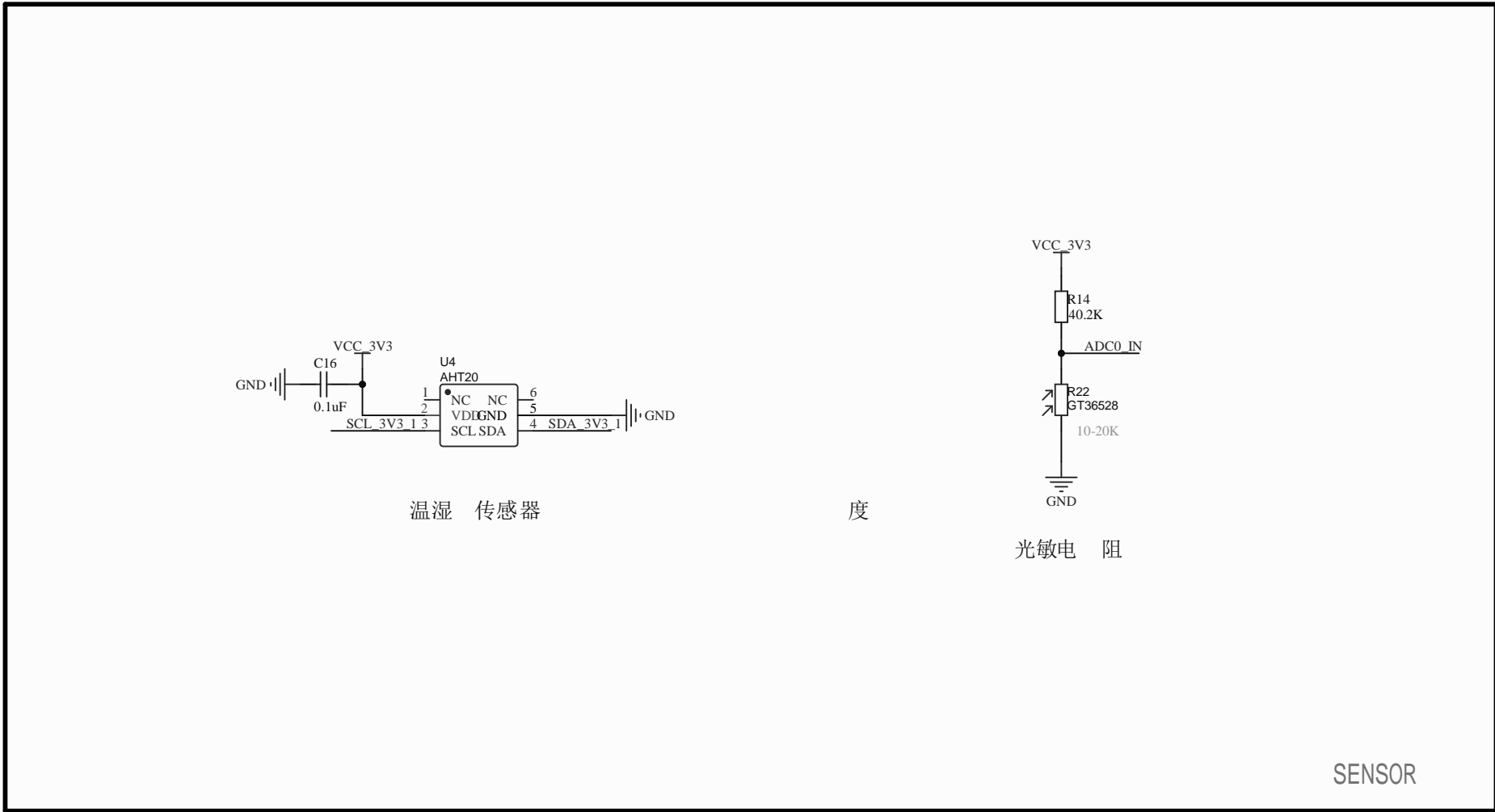


Title EC600X		
Size A2	Number	Revision
Date 3-31-2023	Sheet of G:\23\11\11_EC600S_SchDoc	Drawn By:



Title		
Size A4	Number	Revision
Date: 3-31-2023	Sheet of	
File: G:\项目\2.POWER.SchDoc	Drawn By:	



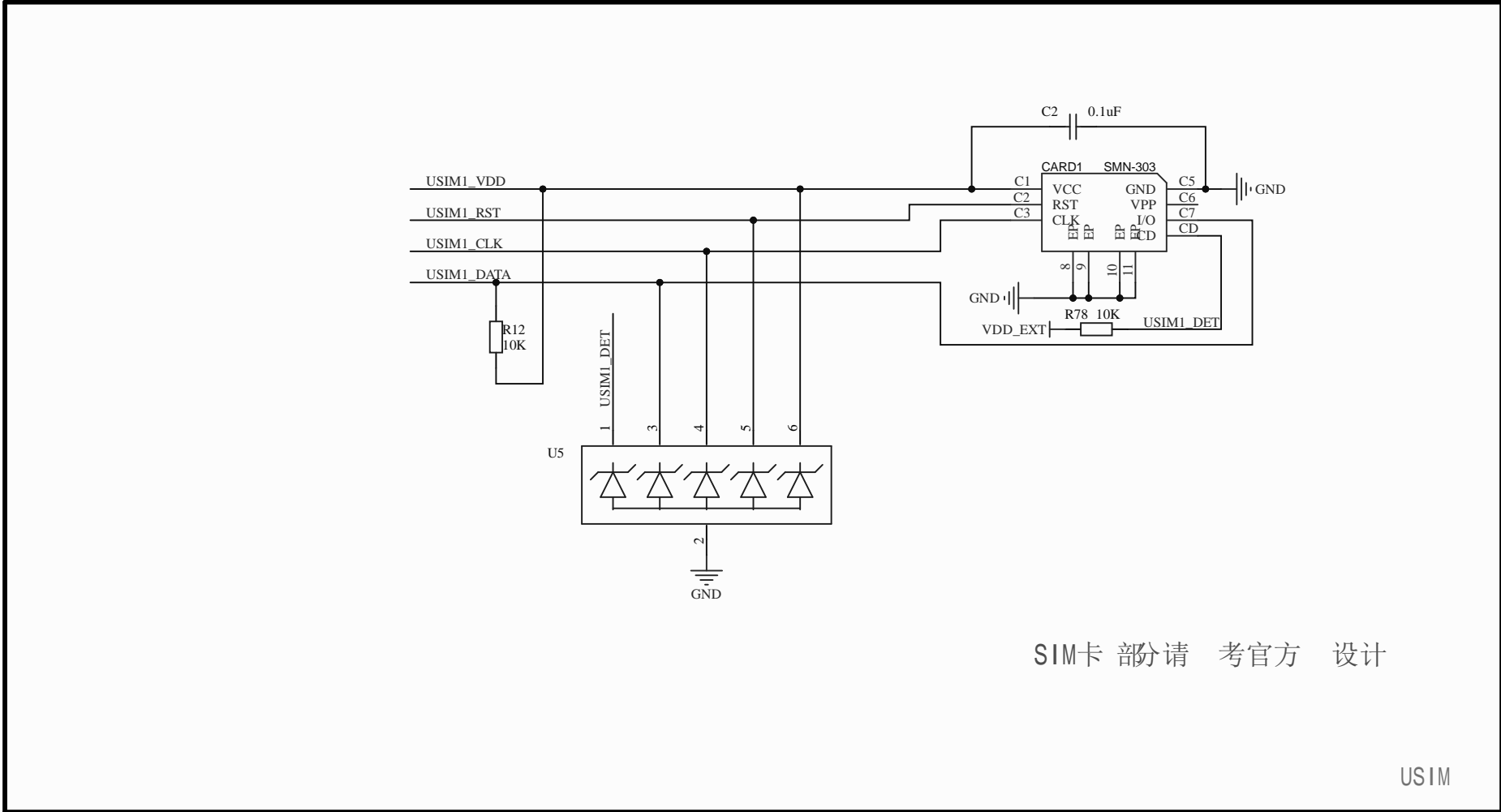
温湿 传感器

度

光敏电 阻

SENSOR

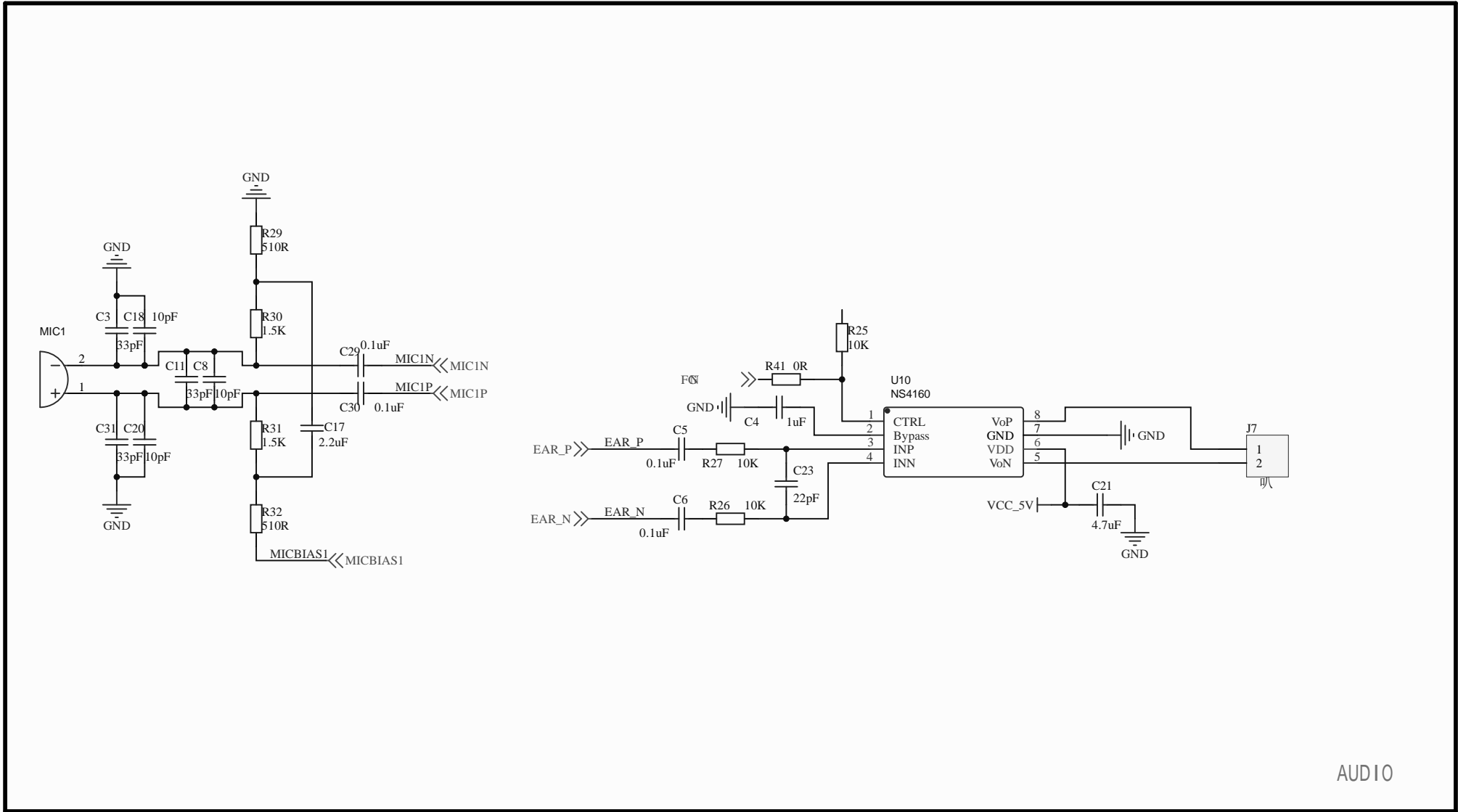
Title		
Size	Number	Revision
A4		
Date:	3-31-2023	Sheet of
File:	G:\项目 目3.SENSOR+EEPROM.SchDoc Drawn By:	



SIM卡 部分请 考官方 设计

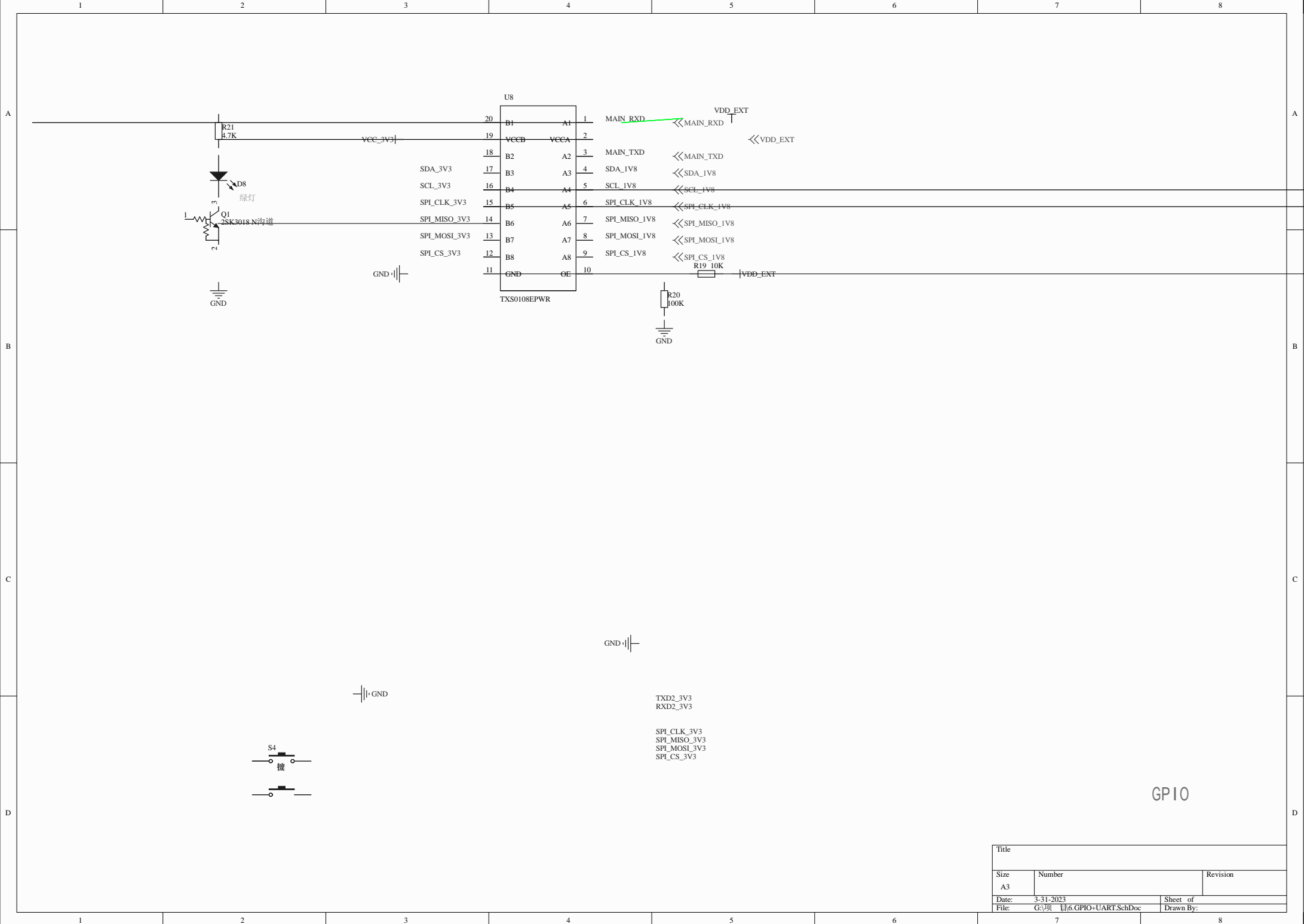
USIM

Title		
Size A4	Number	Revision
Date:	3-31-2023	Sheet of
File:	G:\项目 目4.SIM-CARD.SchDoc	Drawn By:



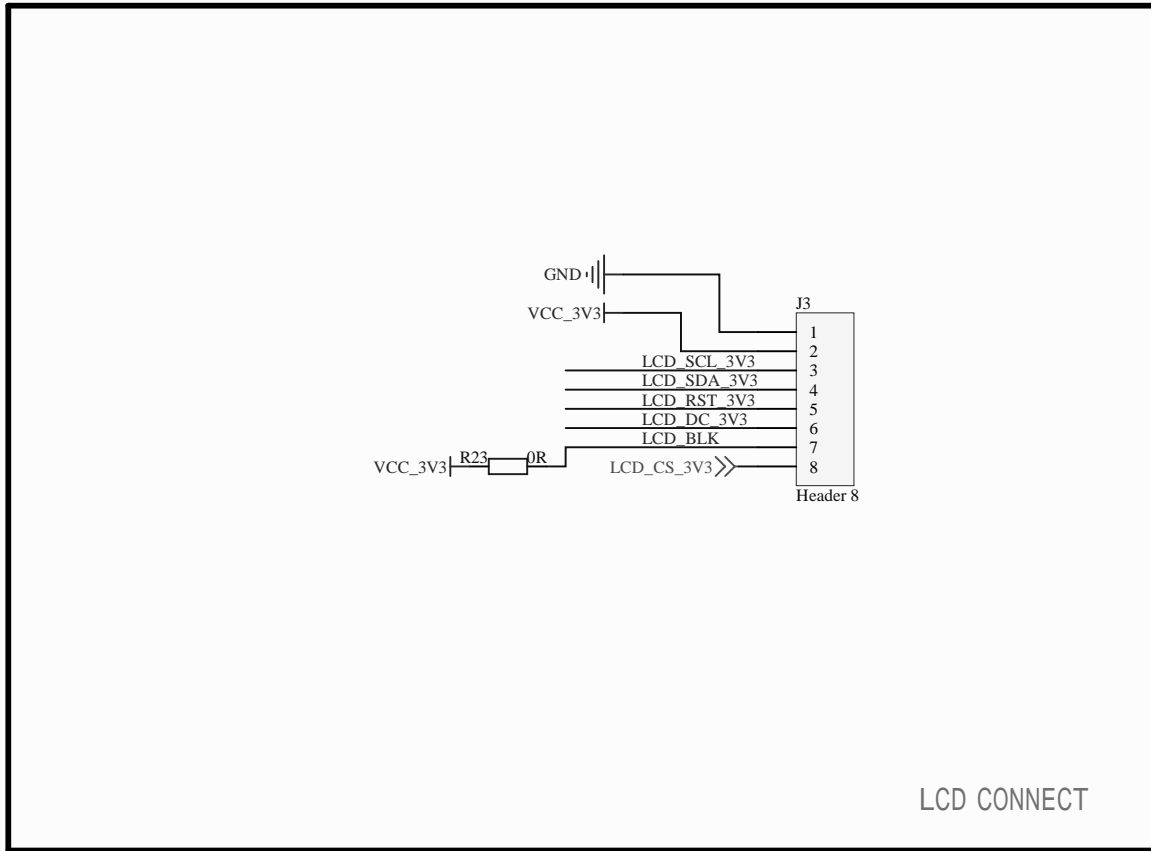
AUDIO

Title		
Size	Number	Revision
A4		
Date:	3-31-2023	Sheet of
File:	G:\项目\5.AUDIO.SchDoc	Drawn By:



GPIO

Title		
Size A3	Number	Revision
Date: 3-31-2023	Sheet of	
File: GPIO-UART.SchDoc	Drawn By:	



LCD CONNECT

Title		
Size A4	Number	Revision
Date: 3-31-2023	Sheet of	
File: G:\项目\7.LCM.SchDoc	Drawn By:	